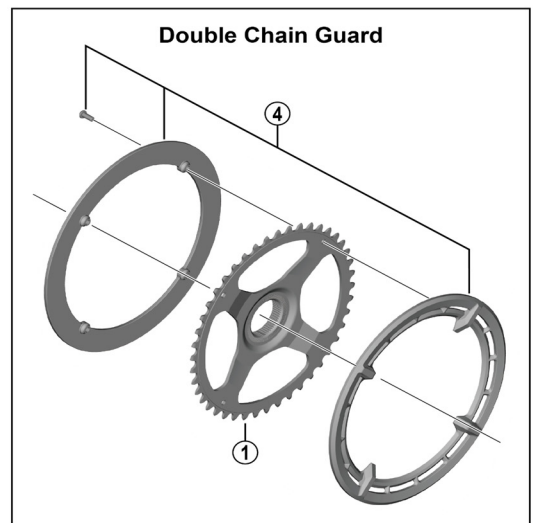
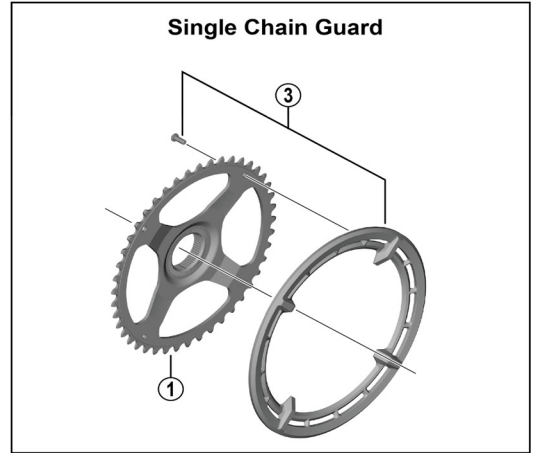
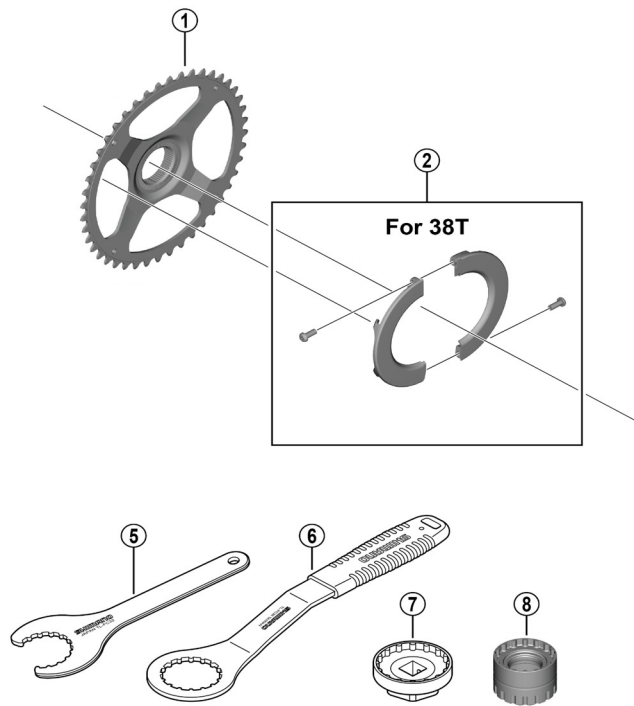


Chainring CR-ET600



ITEM NO.	SHIMANO CODE NO.	DESCRIPTION	INTERCHANGEABILITY
1	Y0PX9801T	Chainring 38T	
	Y0PX9802T	Chainring 44T	
2	Y0PX98010	38T Cover (silver) and fixing screw	
	Y0PX98020	38T Cover (black) and fixing screw	
3	Y0J198020	38T Single chain guard unit	A
	Y0J198030	44T Single chain guard unit	A
4	Y0J198040	38T Double chain guard unit	A
	Y0PX98030	44T Double chain guard unit	
5	Y13009210	TL-FC32 Bottom bracket cup tool	A
6	Y13098000	TL-FC36 Bottom bracket cup tool	A
7	Y13009230	TL-FC33 Bottom bracket cup tool	A
8	Y70898030	TL-FC430 Chainring installation tool	A

A: Same parts.

B: Parts are usable, but differ in materials, appearance, finish, size, etc.

Absence of mark indicates non-interchangeability.

Specifications are subject to change without notice.

SM-CRE61

Jan.-2023-4987

© Shimano Inc. I

SHIMANO